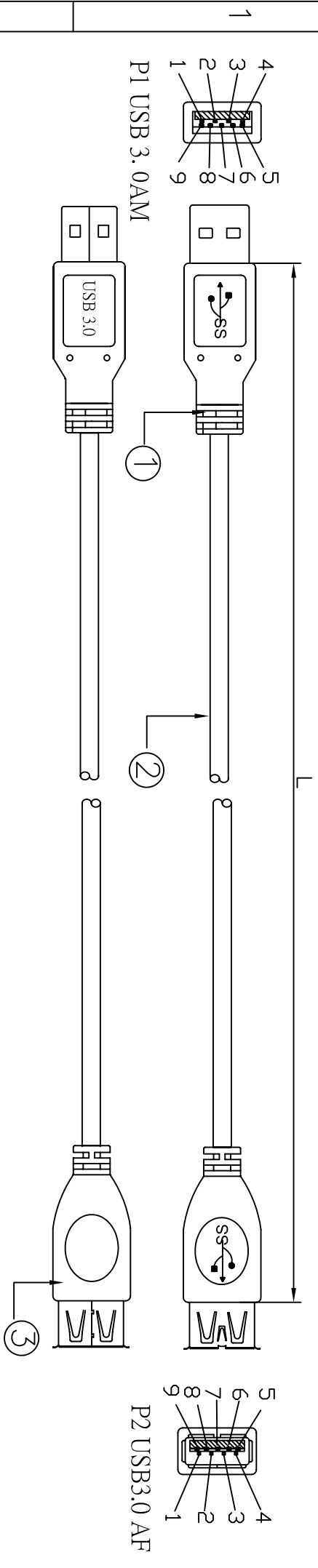
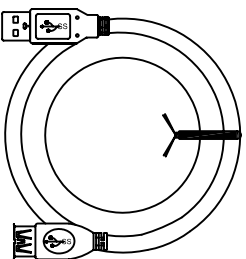


ISSUE	DESCRIPTION	DATE
1	OFFICIAL RELEASED	



Connection

P1	1	2	3	4	5	6	7	8	9	
										Shell 1
										Braid
										Shell 1



"L" mm	Tolerance (mm)	P/N
1800	±30	CCP-USB3-AMAF-6
3000	±30	CCP-USB3-AMAF-10

Cable Spec:  
 1. Conductor:  
 (28#/1P Cu+ D+ AL) \*2F+ 28#/1PCu+ 26#/2CCu+AL+ B  
 2. Coat: PVC Black.  
 3. OD: 6.0±0.2mm  
 Package: Polybag with Gembird logo

ITEM	DESCRIPTION	QTY	UNIT	ITEM	DESCRIPTION	QTY	UNIT
③	USB3.0 AF socket	1	SET				
②	USB3.0 Cable, black						
①	USB3.0 AM plug	1	SET				

# Gembird Electronics Ltd.

Draw	Long	TITLE:	DWG NO:
Date	2010.10.11	USB3.0 AM/AF extension cable	
Check		P/N:	CUSTOMER:
Date		<b>CCP-USB3-AMAF-xx</b>	

UNIT:	MM	SCALE:	NONE	EDITION:	1
TOLERANCE:		WHOLE NO	±0.5	ANGLE	±0.5°
CUSTOMER:		SH	1	DF	1
A4					

